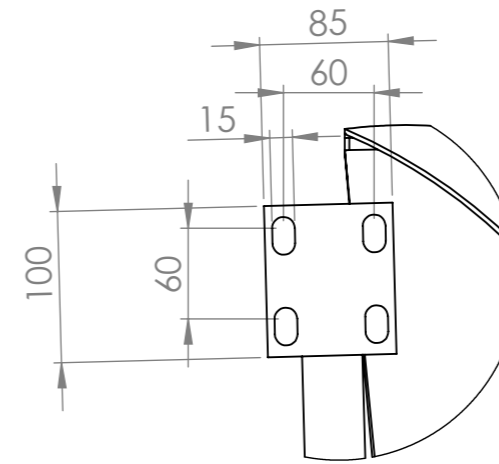
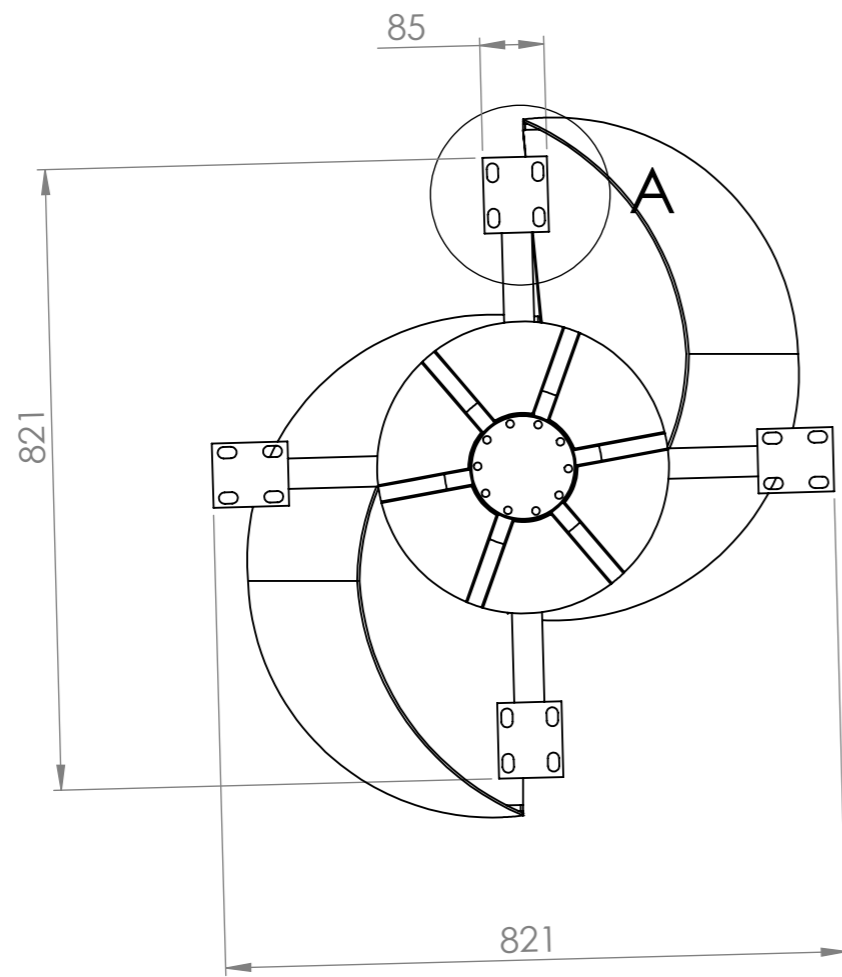


ITEM NO.	Number	PART NUMBER	DESCRIPTION	QTY.
1	2.000.-02	Full assembly 100 mm turbine..	Full assembly 100mm turbine	1
2	2.006.	Full assembly of the fiberglass blades	Full assembly of the fiberglass blades	1
3	2.014.	M10 x 50.	M6S 8.8 FZV	8
4	2.013	M10 nut.	M6M-10 Obeh	8

UNLESS OTHERWISE SPECIFIED: DIMENSIONS ARE IN MILLIMETERS SURFACE FINISH: TOLERANCES: LINEAR: ANGULAR:		FINISH:		DEBURR AND BREAK SHARP EDGES		DO NOT SCALE DRAWING		REVISION	
DRAWN		NAME		SIGNATURE		DATE		TITLE: <b>Full assembly with the blades</b>	
CHK'D								DWG NO. <b>2.000.</b>	
APPV'D								A3	
MFG								SCALE:1:50	
Q.A						MATERIAL: Assembly		SHEET 1 OF 2	
						WEIGHT:			



DETAIL A  
SCALE 1 : 5

UNLESS OTHERWISE SPECIFIED: DIMENSIONS ARE IN MILLIMETERS SURFACE FINISH: TOLERANCES: LINEAR: ANGULAR:			FINISH:		DEBURR AND BREAK SHARP EDGES		DO NOT SCALE DRAWING		REVISION		
DRAWN			NAME		SIGNATURE		DATE		TITLE: Full assembly with the fiberglass blades		
CHK'D											
APPV'D											
MFG											
Q.A									MATERIAL: Assembly		DWG NO. 2.000.-01
									WEIGHT:		A3
									SCALE:1:50		SHEET 2 OF 2