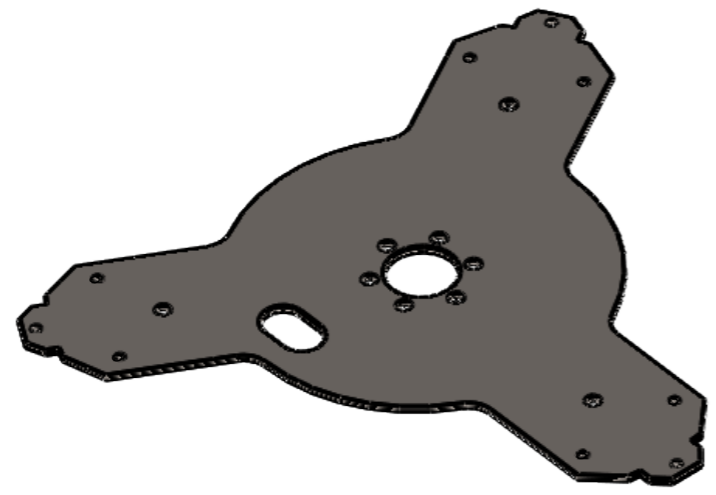
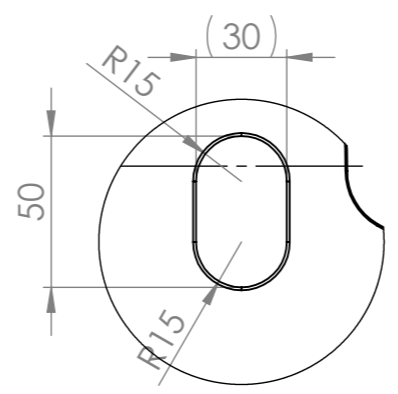
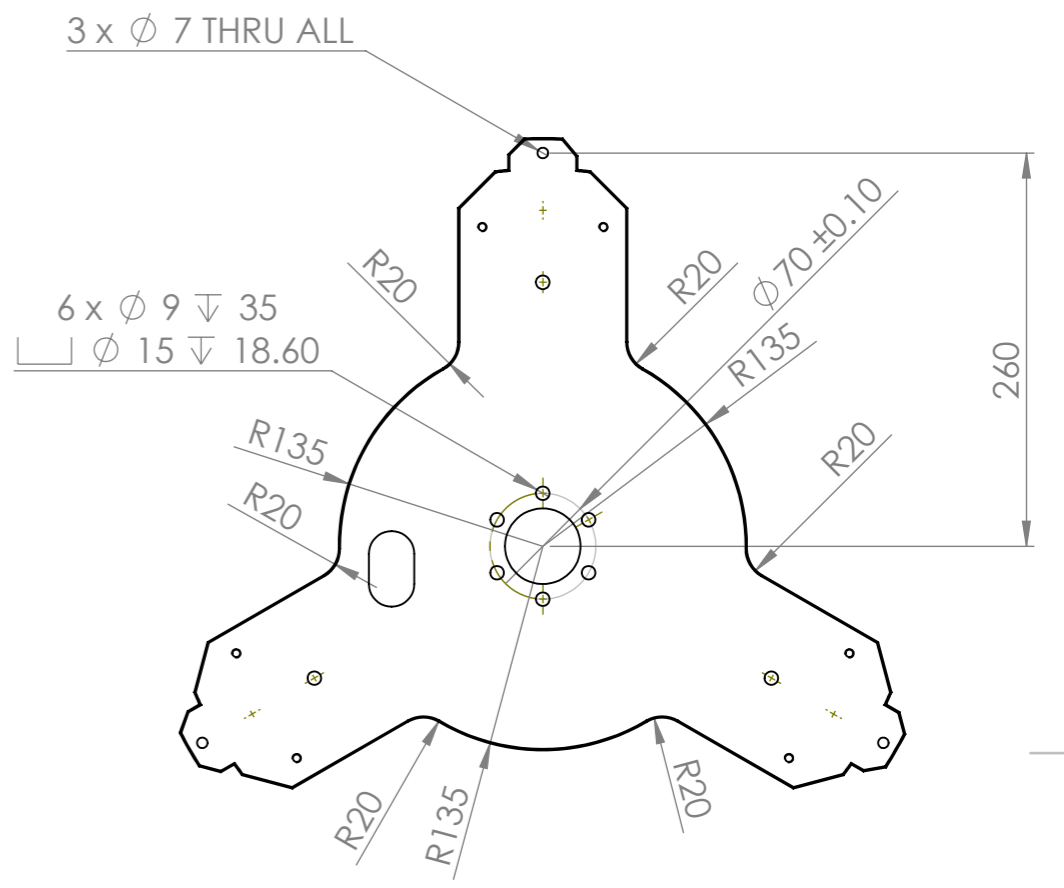
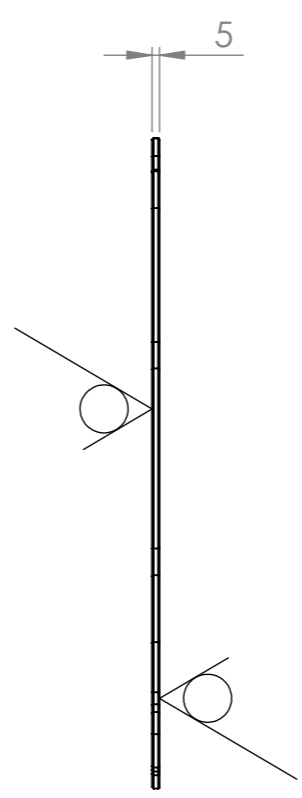
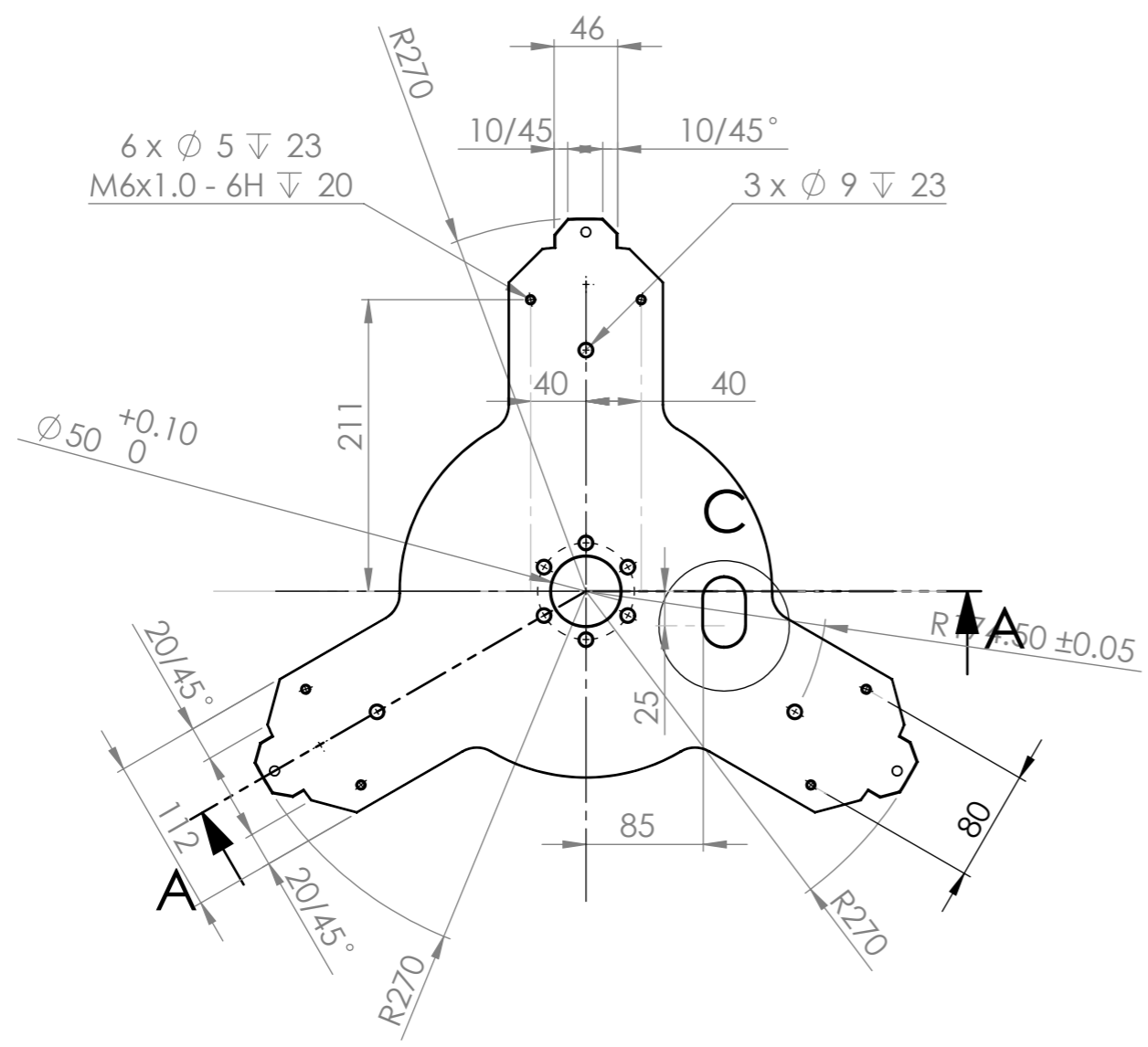
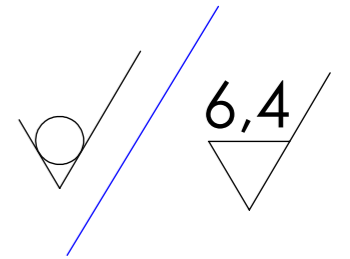


8 7 6 5 4 3 2 1

F E D C B A



NOTE:
Chamfered all the sharp edges at 1/45 deg with hand tool

DETAIL C
SCALE 2 : 5

UNLESS OTHERWISE SPECIFIED: DIMENSIONS ARE IN MILLIMETERS				FINISH:		DEBURR AND BREAK SHARP EDGES		DO NOT SCALE DRAWING		REVISION	
SURFACE FINISH:											
TOLERANCES:											
LINEAR:											
ANGULAR:											
DRAWN		NAME		SIGNATURE		DATE		TITLE:		The base	
CHK'D											
APPV'D											
MFG											
Q.A								MATERIAL:		DWG NO.	
								AISI 316 Stainless Steel Sheet (SS)		3.002.003.	
								WEIGHT: 3729.82		SCALE: 1:5	
										SHEET 1 OF 1	

8 7 6 5 4 3 2 1

A B C D E F